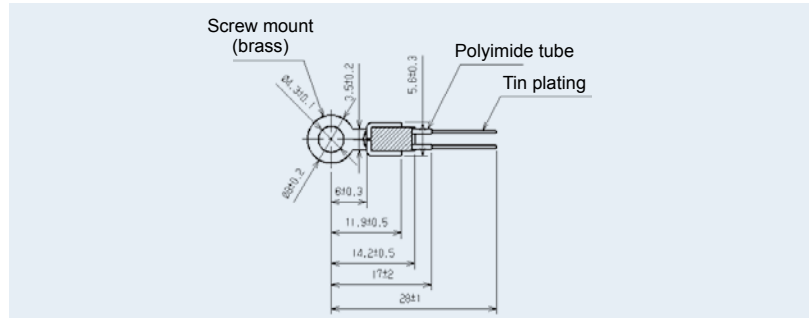


7. Eyelet (lug terminal) sensor

Screw mount type temperature sensor with very good heat conductivity that allows the sensing of high temperatures.

Zero power resistance R_{75} : 7.214 k Ω \pm 5%
 B value $B_{0/100}$: 3970 K \pm 2%
 Temperature range : - 40 to 130 $^{\circ}$ C

Thermal time constant: approx. 75 sec.
 Breakdown voltage: AC 600 V 1 sec.
 Insulation resistance: DC 500 V 100 M Ω +

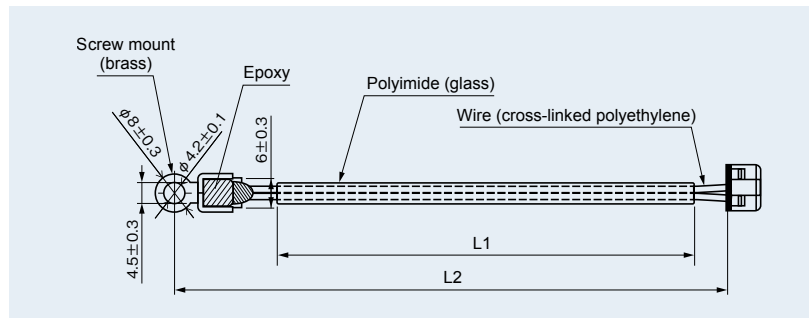


8. Eyelet (lug terminal) sensor

Screw mount type temperature sensor with very good heat conductivity that allows highly accurate sensing of high temperatures.

Zero power resistance R_{25} : 10.0 k Ω \pm 0.5%
 B value $B_{25/85}$: 3435 K \pm 0.5%
 Temperature range : - 40 to 125 $^{\circ}$ C

Thermal time constant: approx. 80 sec.
 Breakdown voltage: AC 1800 V 1 sec.
 Insulation resistance: DC 500 V 100 M Ω +

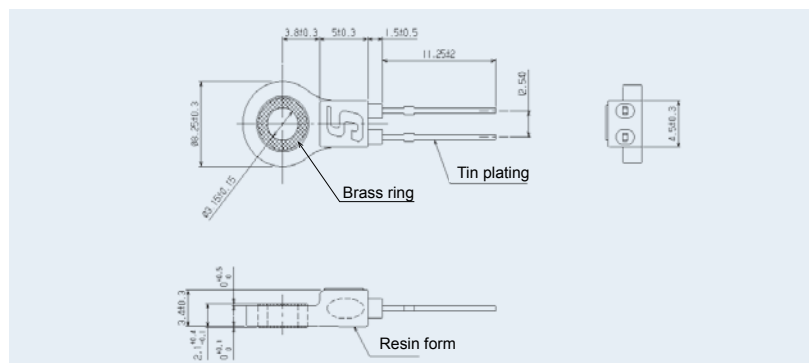


9. Eyelet (lug terminal) sensor

Temperature sensor that resists screw tension and can therefore be used for a long time.

Zero power resistance R_{25} : 2 k Ω \pm 1%
 B value $B_{25/85}$: 3182 K \pm 1%
 Temperature range: - 40 to 90 $^{\circ}$ C

Thermal time constant: approx. 80 sec.
 Breakdown voltage: AC 600 V 1 sec.
 Insulation resistance: DC 500 V 100 M Ω +



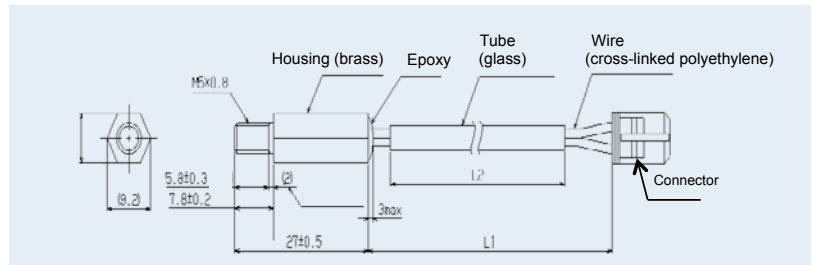
Motor

10. Screw housing sensor

Screw type temperature sensor with high accuracy and excellent climate resistance.

Zero power resistance R_{25} (except connector): $10.0\text{ k}\Omega \pm 0.5\%$
 B value $B_{25/85}$: $3435\text{ K} \pm 0.5\%$
 Temperature range: $-40\text{ to }150^\circ\text{C}$

Thermal time constant: approx. 298 sec.
 Breakdown voltage: AC 600 V 1 sec.
 Insulation resistance: DC 500 V 100 M Ω +

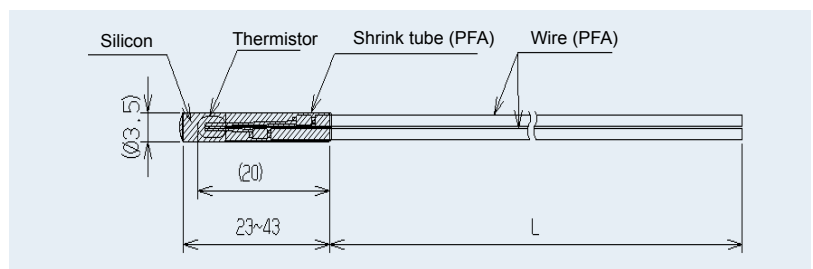


11. PTFE tube sensor

Temperature sensor with a thin tip and excellent responsiveness.

Zero power resistance R_{100} : $1.0\text{ k}\Omega \pm 5\%$
 B value $B_{0/100}$: $3387\text{ K} \pm 2\%$
 Temperature range: $-40\text{ to }250^\circ\text{C}$

Thermal time constant: approx. 7 sec. (oil)
 Breakdown voltage: AC 1200 V 1 sec.
 Insulation resistance: DC 500 V 100 M Ω +



Battery / capacitor

12. Slim case sensor

Slim case sensor with high breakdown voltage that fits easily into narrow spaces.

Zero power resistance R_{25} : $10\text{ k}\Omega \pm 1\%$
 B value $B_{25/85}$: $3435\text{ K} \pm 1\%$
 Temperature range: $-20\text{ to }80^\circ\text{C}$

Thermal time constant: approx. 25 sec.
 Breakdown voltage: AC 2160 V 1 sec.
 Insulation resistance: DC 500 V 100 M Ω +

